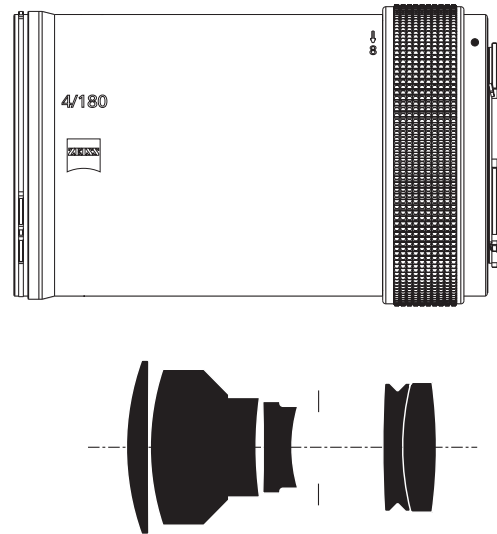


Sonnar T* 4/180 ZH

The Universal Telephoto

The Sinaron Digital AF Sonnar T* 4/180 ZH is a telephoto lens of impressive performance.

While it is still compact enough to be used handheld, the Sonnar's exceptional sharpness will be most obvious when it is used on a tripod to generate highly detailed, crisp images at any f-stop and any object distance. Color reproduction is exceptionally clean and vibrant. Due to its high performance even at full aperture, image composition with selective focus is easy and will produce impressive results.



Technical Specifications

Focal Length: 180 mm

Aperture range: 4–32

No. of elements/groups: 5/4

Focusing range: 1.55 m – infinity

Image ratio at close range: 1:6.6

Coverage at close range: 24 cm x 31 cm

Angular field, diag./horiz./vert.: 19/15/12°

Filter: M 86 x 1

Weight: 1300 g

Length: 160 mm

sinar

Subject to change.

SINAR AG

CH-8245 Feuerthalen
Switzerland
Phone: +41 52 647 07 07
Fax: +41 52 647 06 06
E-Mail: sinar@sinar.ch
www.sinarcameras.com

Carl Zeiss AG

Camera Lens Division
73446 Oberkochen
Germany
Tel: +49 73 64 20-61 75
Fax: +49 73 64 20-40 45
E-Mail: photo@zeiss.de
www.zeiss.de/photo



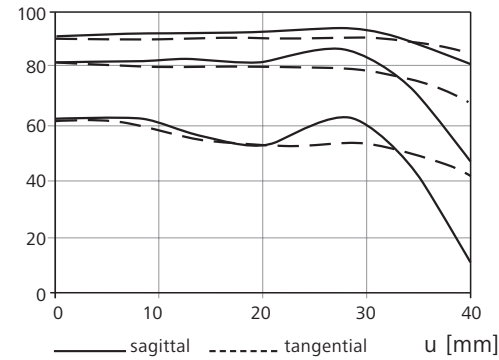
We make it visible.

Sonnar T* 4/180 ZH

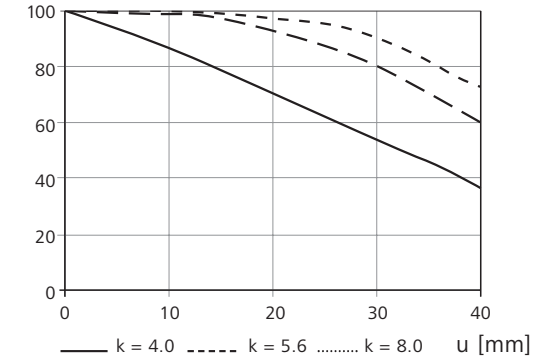
Performance data

The Modulation Transfer (MTF) as a function of image height (u) and slit orientation (sagittal, tangential) has been measured with white light at spatial frequencies of R = 10, 20 and 40 cycles/mm.

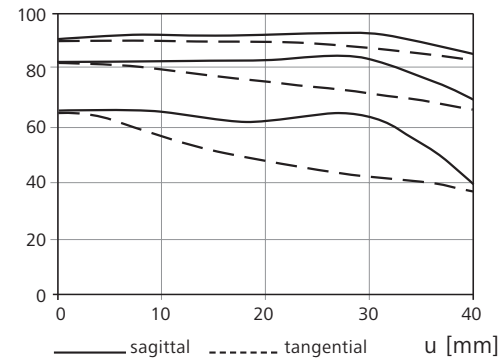
T [%], f-number: k = 4.0



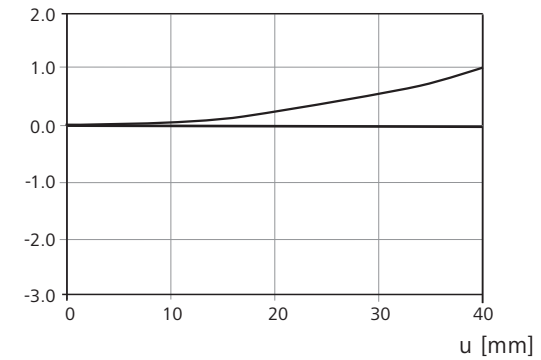
E [%], Relative illuminance



T [%], f-number: k = 8.0



V Distortion in % of image height



Subject to change.

SINAR AG

CH-8245 Feuerthalen
Switzerland
Phone: +41 52 647 07 07
Fax: +41 52 647 06 06
E-Mail: sinar@sinar.ch
www.sinarcameras.com

Carl Zeiss AG

Camera Lens Division
73446 Oberkochen
Germany
Tel: +49 73 64 20-61 75
Fax: +49 73 64 20-40 45
E-Mail: photo@zeiss.de
www.zeiss.de/photo



We make it visible.